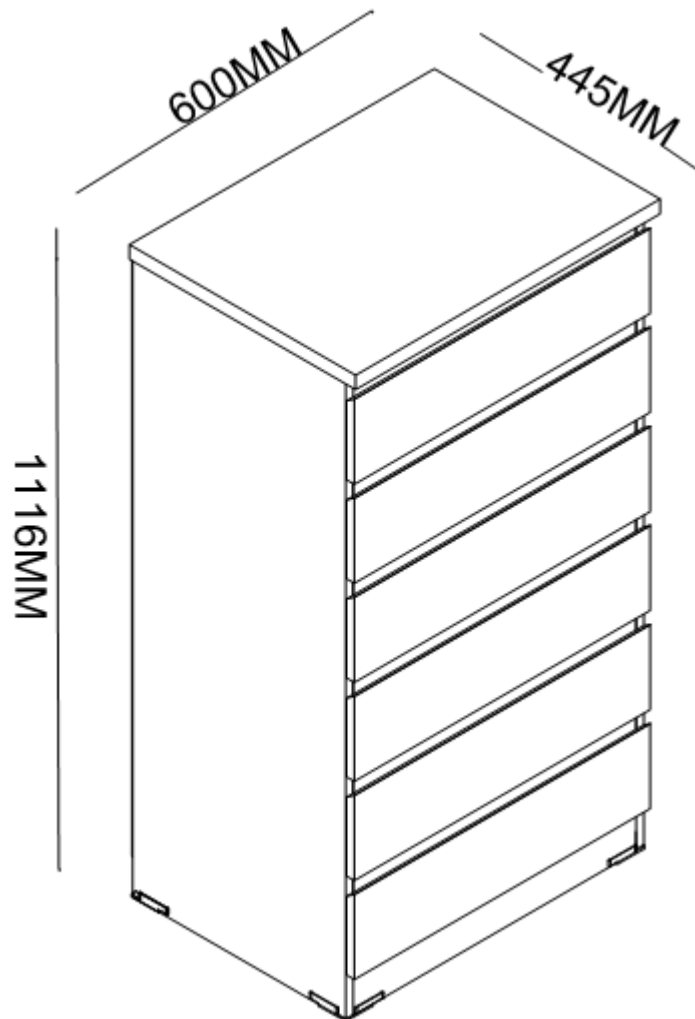


ASSEMBLY INSTRUCTION

HOWARD 6 DRAWER NARROW TALL CHEST

ITEM CODE: 69631/70606/71846





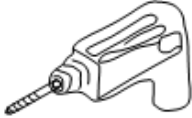

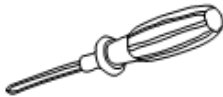

Imported by JWA Furniture Pty Ltd, Brisbane, QLD, Australia

For any assistance with assembly or for missing parts, please refer to your receipt

PRE-ASSEMBLY PREPARATION

Before you start:

1. Choose a clean, level, spacious assembly area. Avoid hard surfaces that may damage the product
2. Take care when lifting. Product should be assembled as near as possible to the point of use
3. Ensure that you have all required contents for complete assembly
4. Always read the assembly instructions carefully before beginning assembly.
5. Keep all hardware parts and packaging out of reach of small children.
6. Do not over tighten the screws and bolts as this may damage the threads
7. Assembly is to be carried out by a competent adult(s) ONLY.
8. During assembly, children should be kept away from the product due to possible risk to injury.
9. Do not use this item if any components are missing or damaged.
10. Please keep the instructions for future reference.

 60min	 1 People Required	IF REQUIRED  Low speed (Ø6mm)
   ADDITIONAL TOOLS REQUIRED		



TIPPING WARNING





Serious or fatal injuries may occur from furniture toppling over. To help avoid this please follow the below recommendations:

- Install the provided "Tipping Kit" as per the instructions
- Never allow children to climb on or hang off of any part of this product
- Unless specifically designed to accommodate, do not set TVs or other heavy objects on top of this product

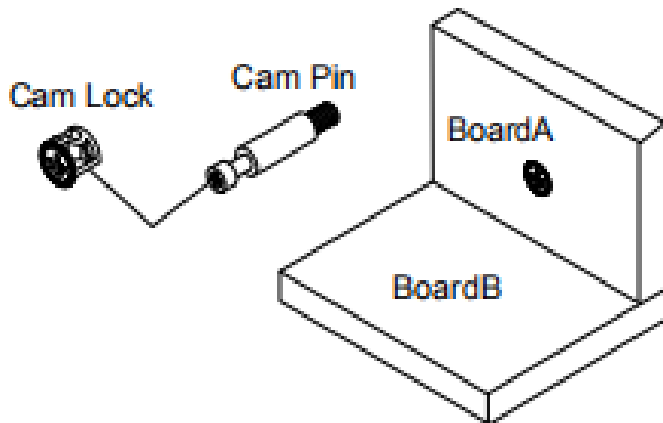
If this product has drawers:

- Place the heaviest items in lowest drawers
- Do not open more than 1 drawer at a time as this may cause the product to become unbalanced
- Do not tamper with or remove any drawer interlocking/running system

Note: The use of the provided "Tipping Kit" may reduce but not necessarily eliminate the risk of furniture toppling over. Please use this product with caution.

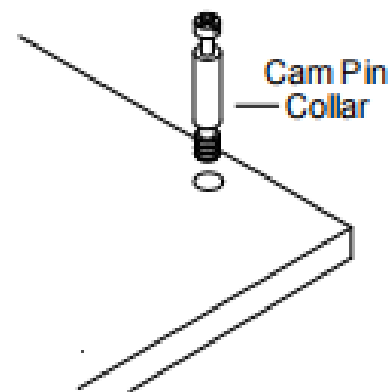
This is a permanent label. Do not attempt to remove!

TO USE CAM LOCK FASTENERS



To assemble this product hardware called Cam Lock Fasteners are used. The below is information on how these work.

Cam Locks are fasteners used to join two boards together, usually the edge of one board (A) to the flat side of another board (B).

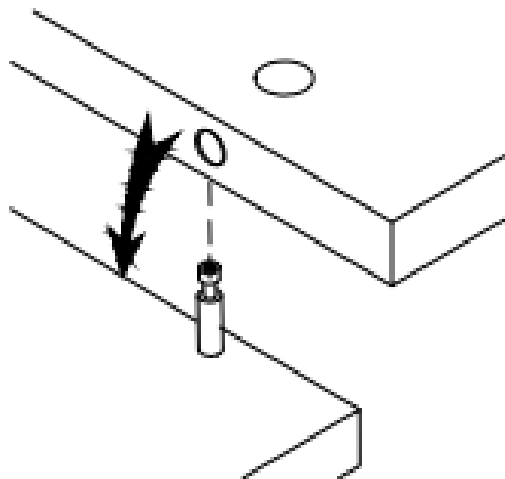


The Cam Pin is inserted into the flat side of a board, it is important that the cam pin is kept vertical and is not put in on an angle.

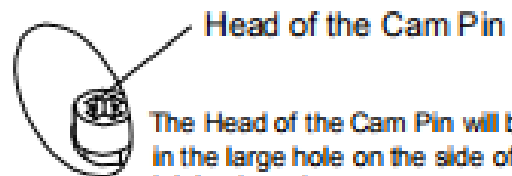
Cam pin is to be inserted up to collar

Too far and it won't catch the Cam Lock (Do Not Overtighten)

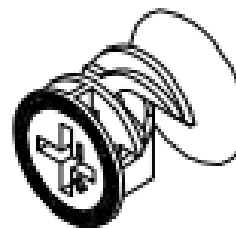
Not enough and the resulting product will not be stable.



Now fit the hole in the edge of the joining board over the Cam Pin.

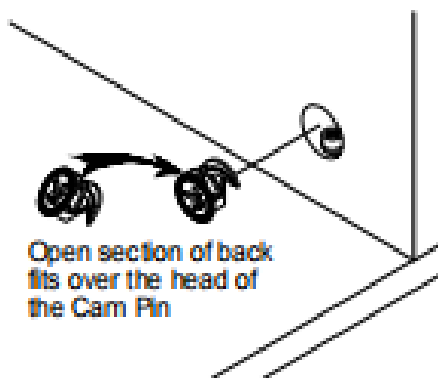


The Head of the Cam Pin will be visible in the large hole on the side of the joining board.

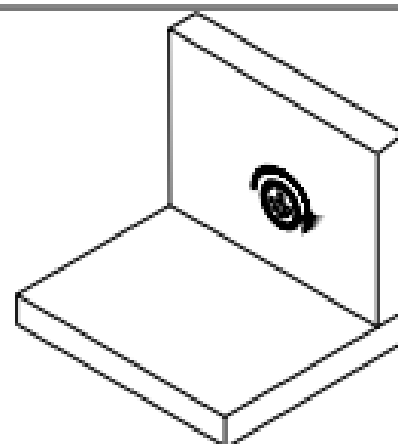


Notice the Cam Lock has a "C" Shaped Back.

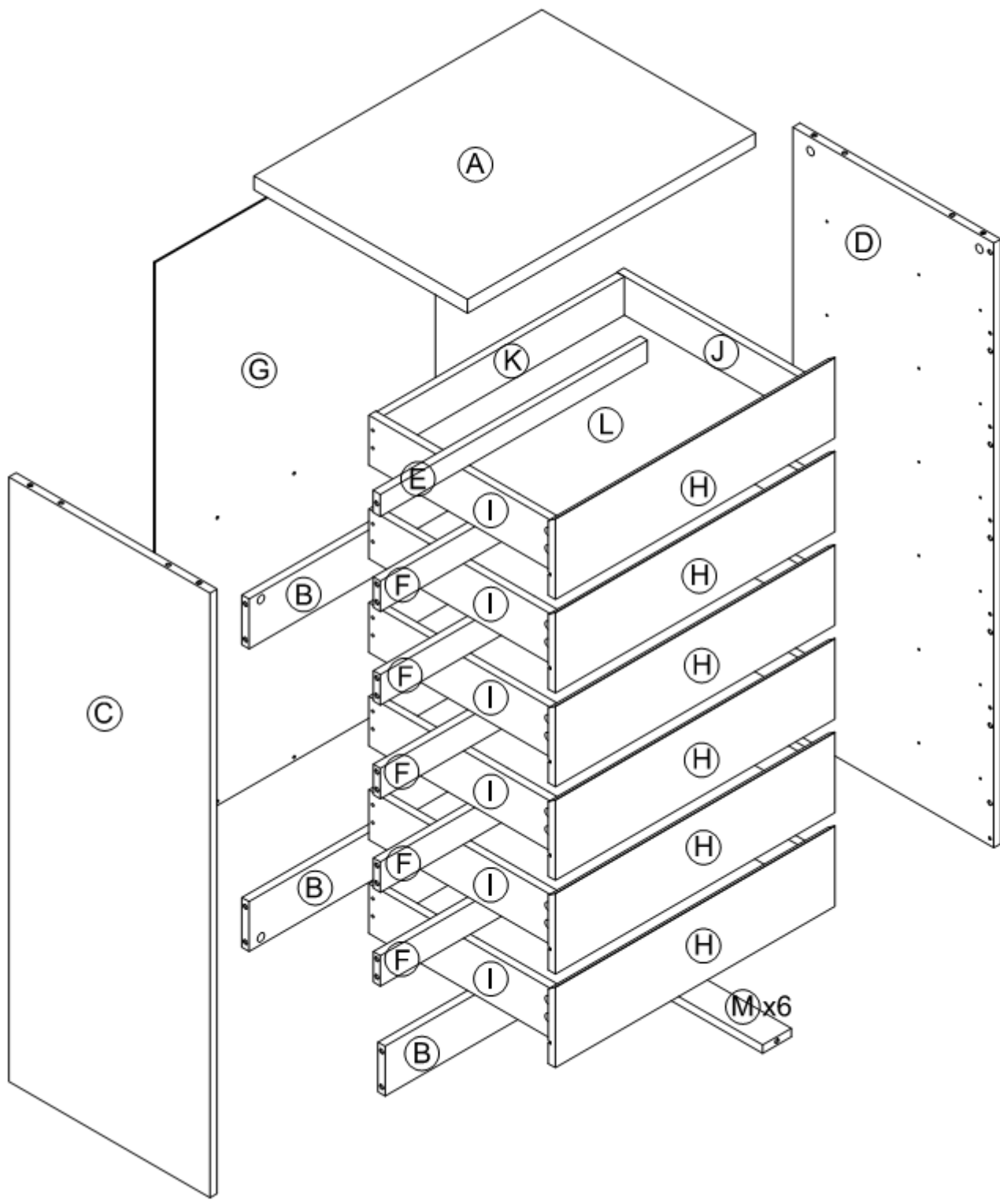
An arrow or +/- signs on the front indicate the open section on the back of the Cam Pin.



Insert the Cam Lock into the large hole so the opening of the "C" fits over the head of the Cam Pin. You must ensure that the Cam Lock is pushed to the bottom of the hole to catch the top of the Cam Pin.



Use a Flat screwdriver to turn the Cam Lock clockwise one half turn so it locks onto the head of the Cam Pin. Turn only until it is snug. Over tightening could cause the Cam to bend or break. If it will not turn the full amount, turn the Cam Pin out (Counter-clockwise) one full turn, and try the Cam Lock again.

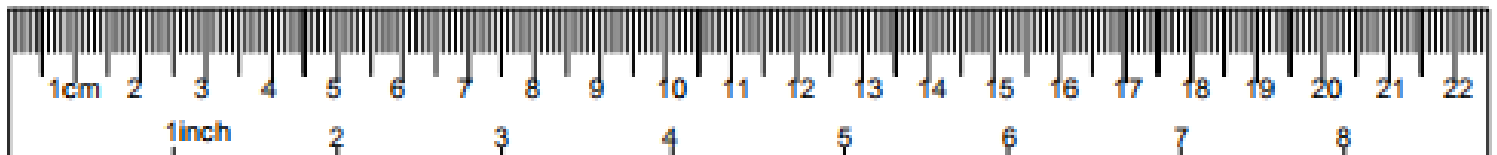


Item Code-69631/70606/71846

Panel(Mark)	Packing carton	Quantity	Picture	Dimension
A	(Box 1)	1 PC		600 x 445 x 25mm
B	(Box 1)	3 PCS		557 x 90 x 15mm
C	(Box 1)	1 PC		1091 x 419 x 15mm
D	(Box 1)	1 PC		1091 x 419 x 15mm
E	(Box 1)	1 PC		557 x 40 x 15mm
F	(Box 1)	5 PCS		557 x 55 x 15mm
G	(Box 1)	1 PC		1044 x 584 x 3mm
H	(Box 1)	6 PCS		583 x 145 x 15mm
I	(Box 1)	6 PCS		400 x 90 x 15mm
J	(Box 1)	6 PCS		400 x 90 x 15mm
K	(Box 1)	6 PCS		502 x 90 x 15mm
L	(Box 1)	6 PCS		513 x 395 x 3mm
M	(Box 1)	6 PCS		384 x 60 x 15mm

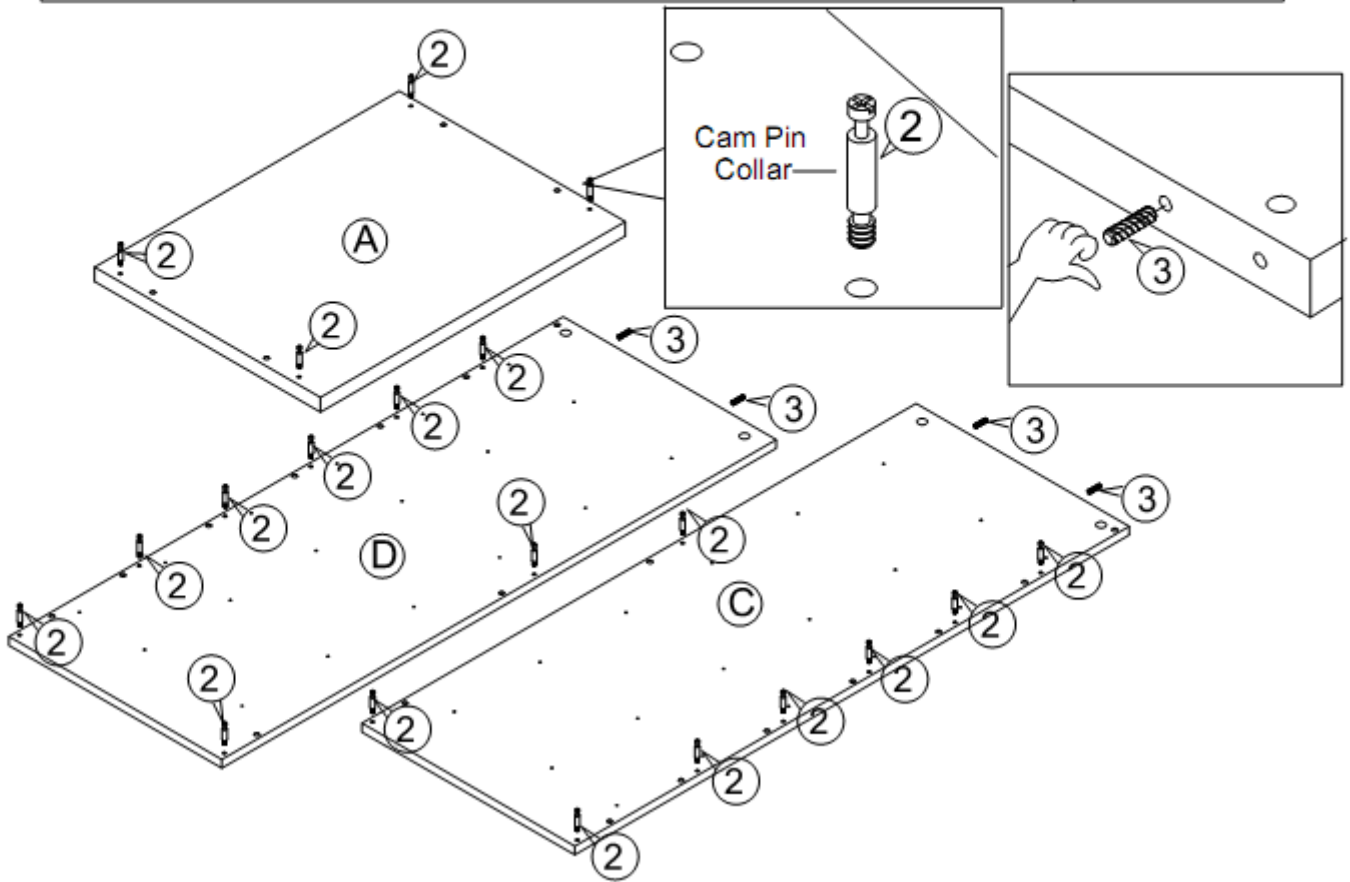
Please note - All Hardwares in box 1.

① 50 PCS Ø15 x 12 mm	② 50 PCS Ø6 x 34 mm	③ 22 PCS Ø8 x 30 mm	④ 32 PCS Ø4 x Ø2 x 15 mm	⑤ 4 PCS 65 x 65 x 13 mm	⑥ 6 Sets 16"	⑦ 24 PCS Ø17.5 x 4 mm
⑧ 84 PCS Ø3.5 x 14 mm	⑨ 36 PCS Ø8 x Ø4 x 33 mm	⑩ 6 PCS Ø9 x Ø3 x 14 mm	⑪ 1 PC 20 x 40 x 1.2mm	⑫ 1 PC Ø9 x Ø6 x 25mm	⑬ 1 PC Ø9 x Ø4 x 15mm	⑭ 1 PC Ø9 x Ø4 x 25mm



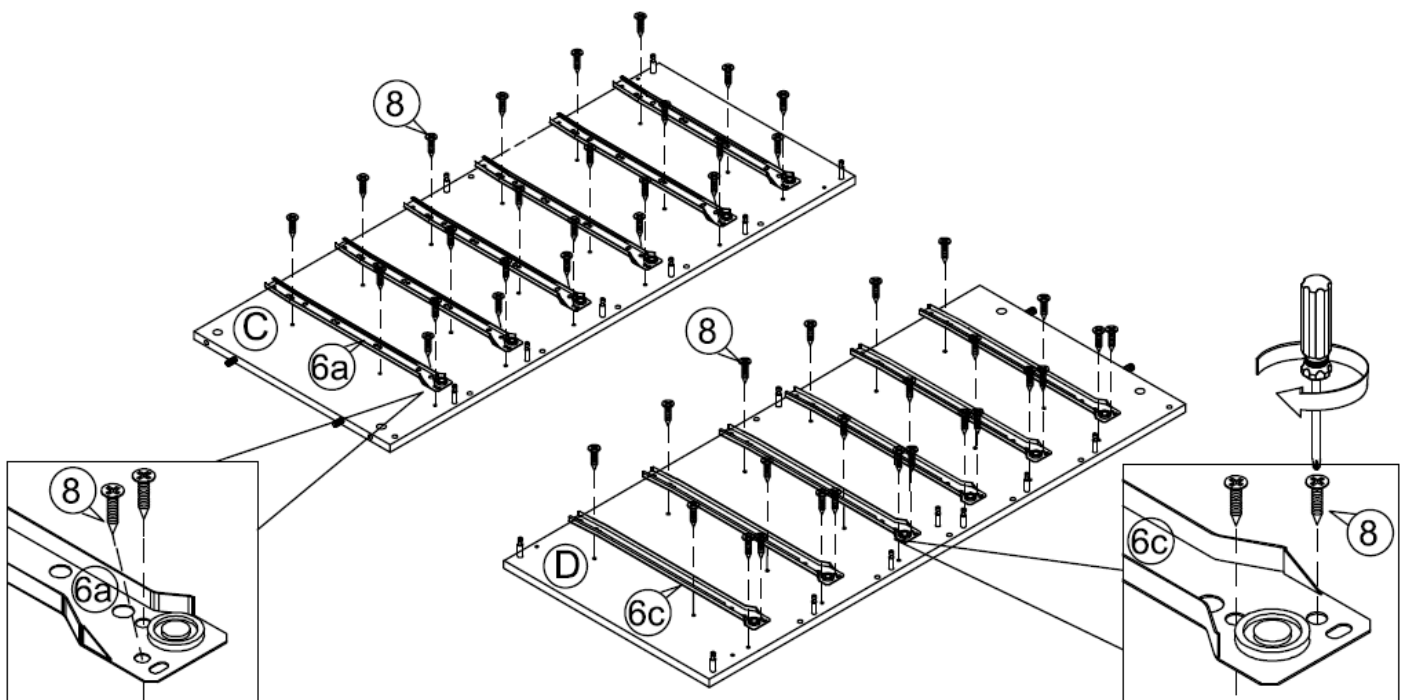
1

② x 20 ③ x 4




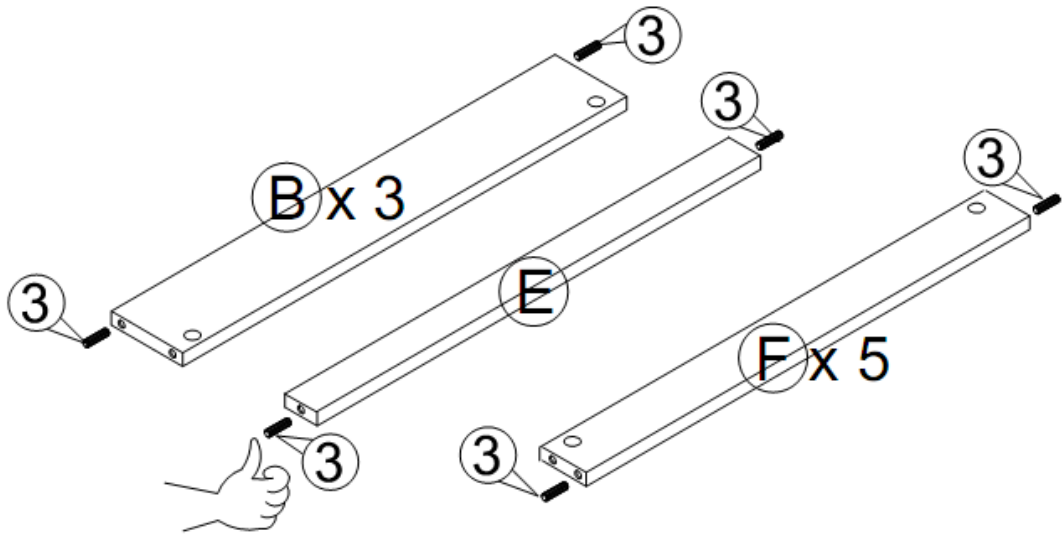
2

⑥a x 6 ⑥c x 6 ⑧ x 48



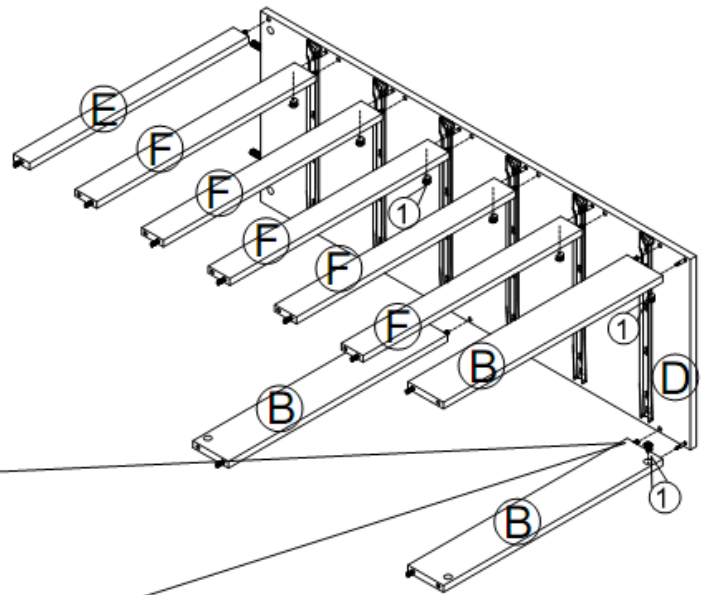
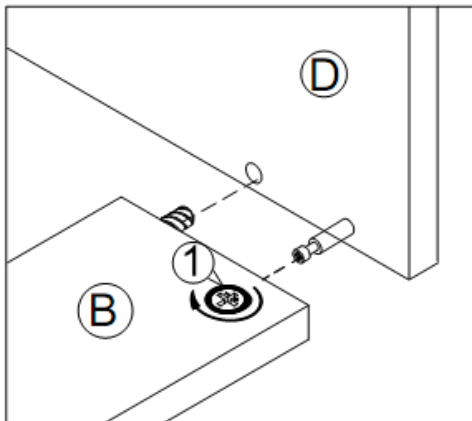
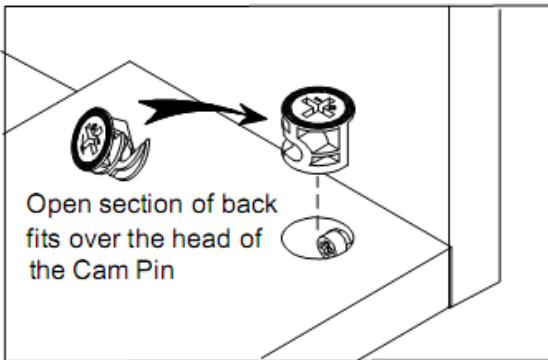
3


③ x 18

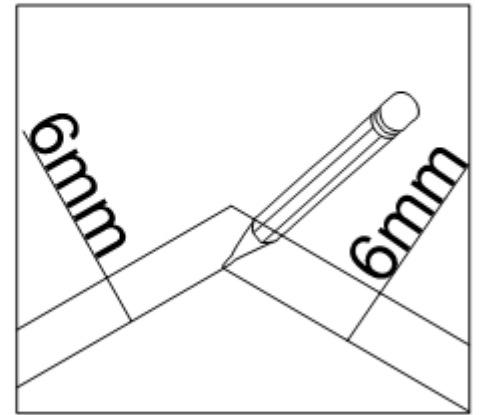
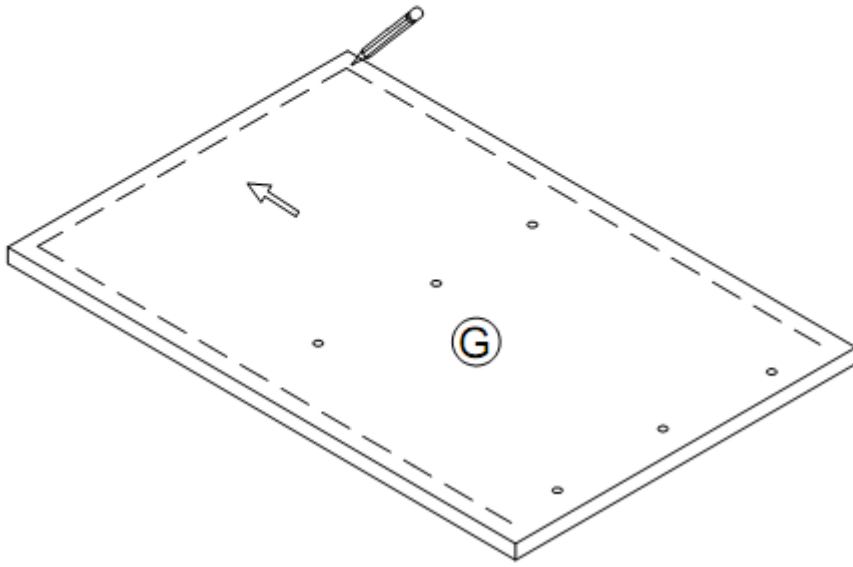


4

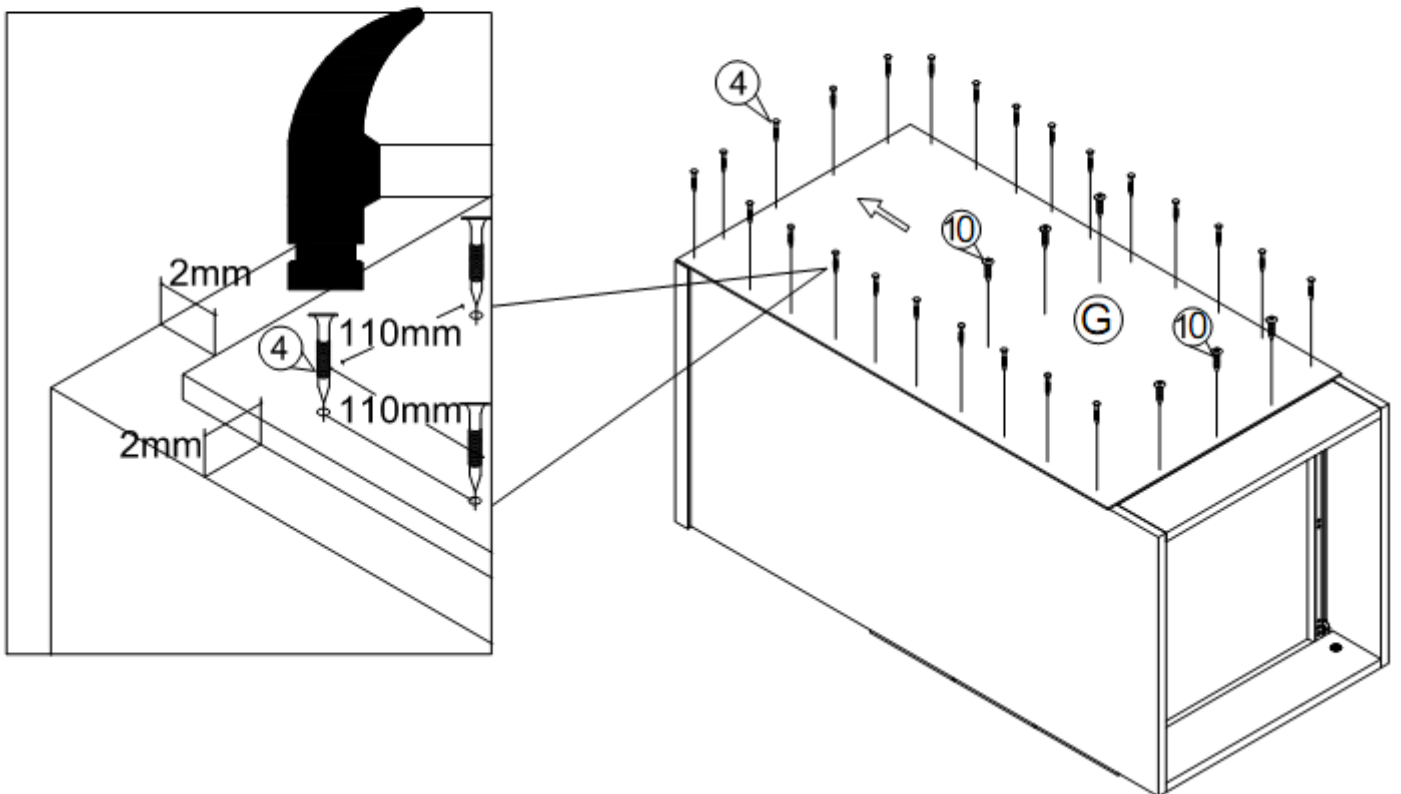

① x 8



7



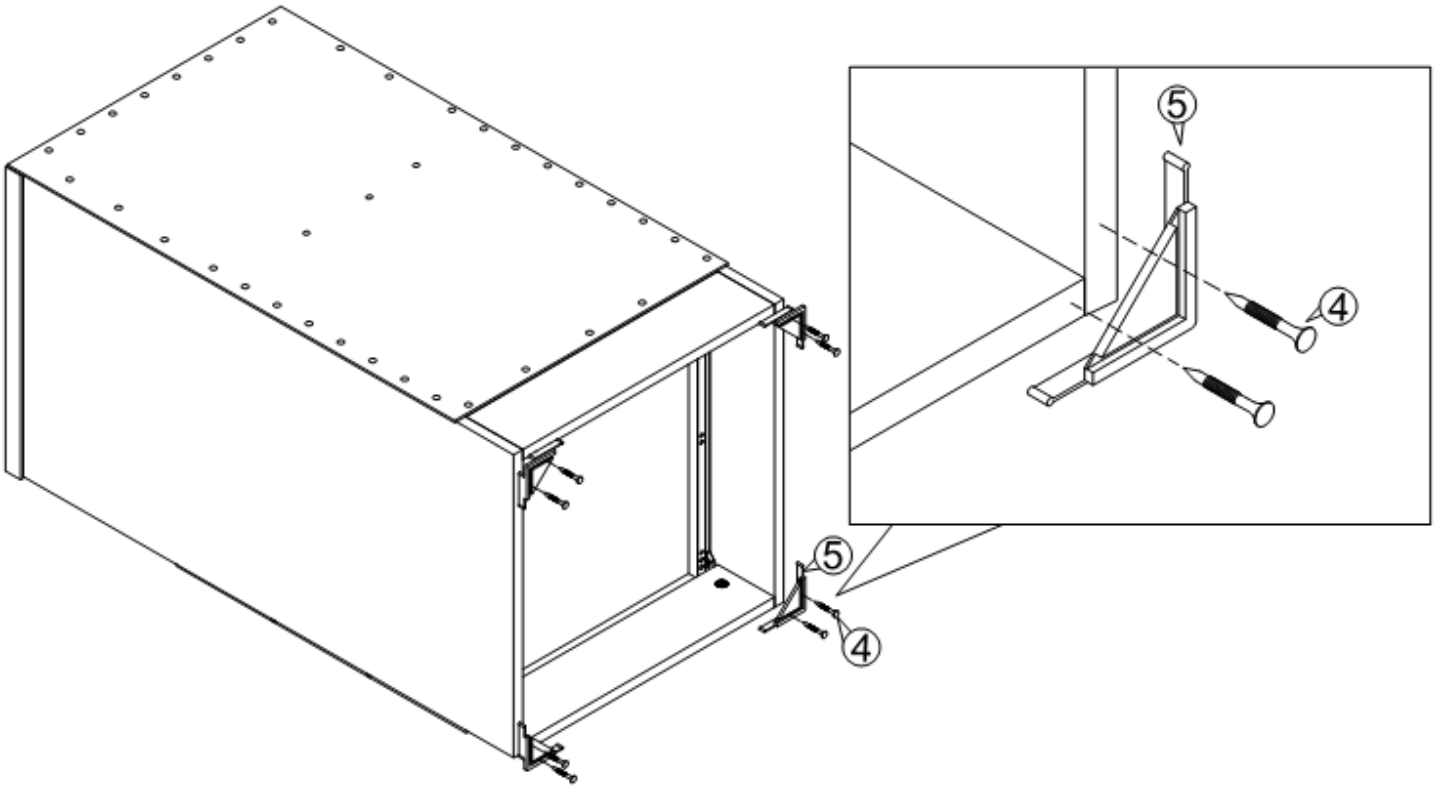
8



9

④ x 8

⑤ x 4

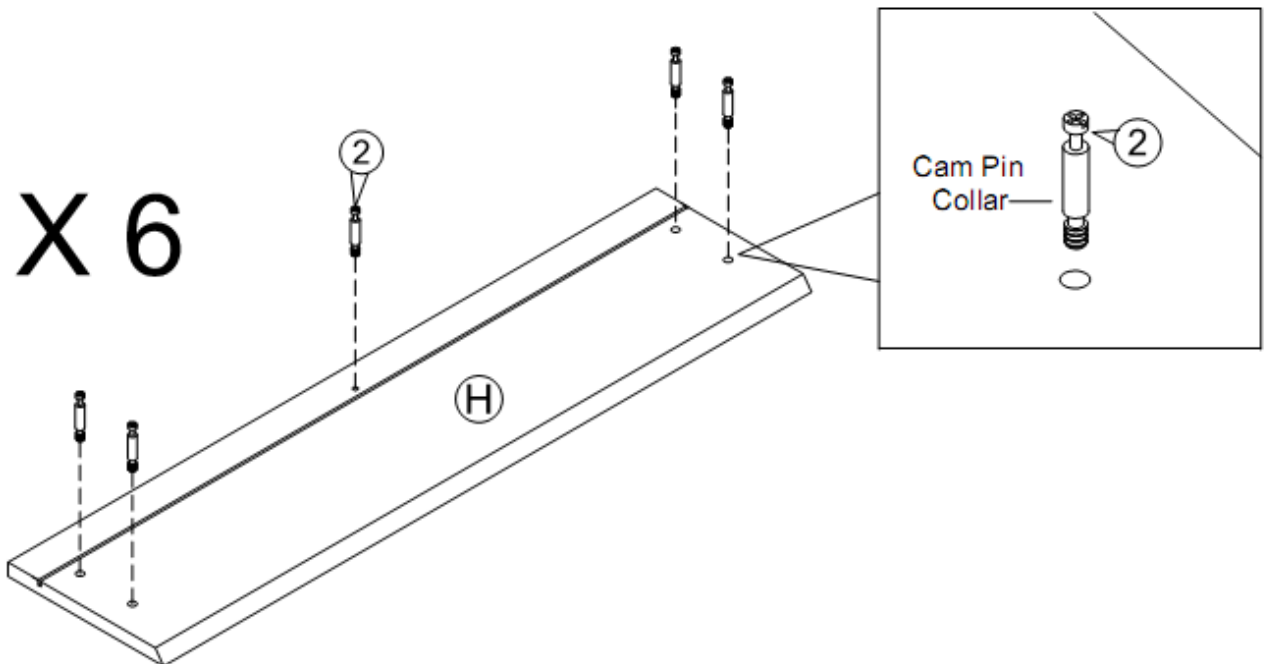


10

② x 5

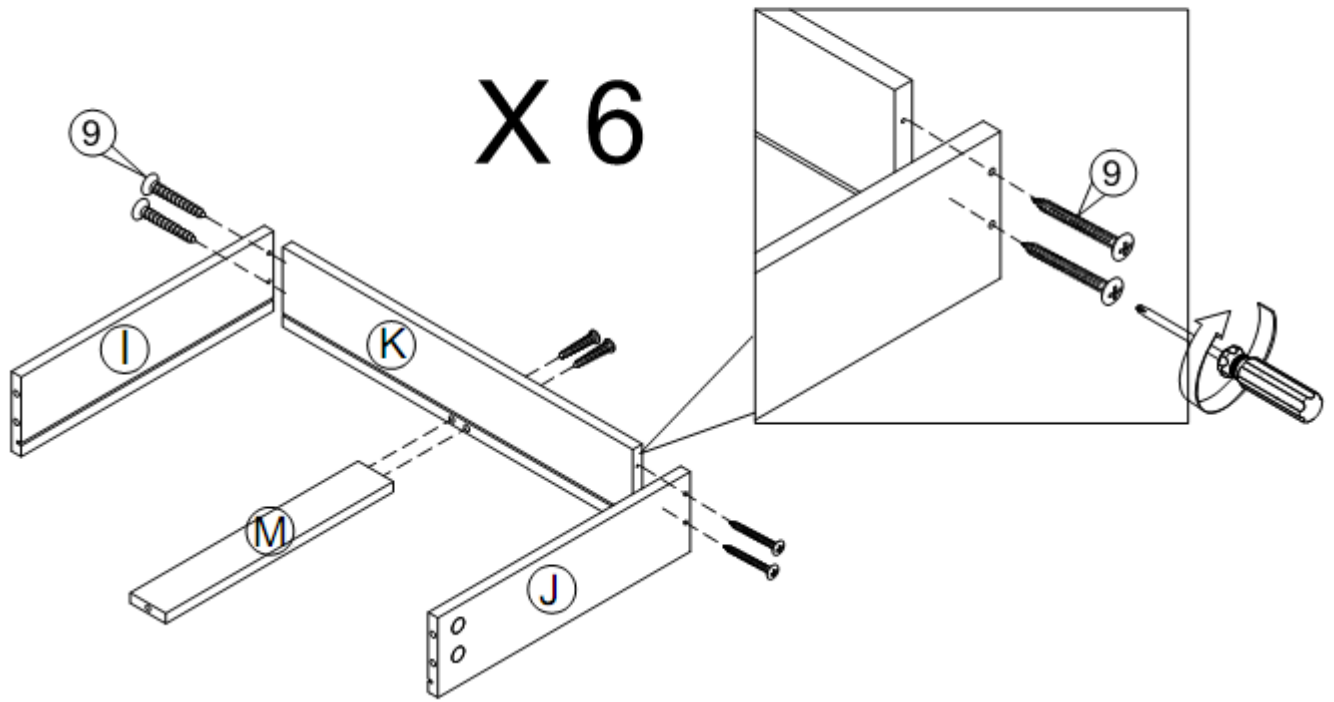


X 6



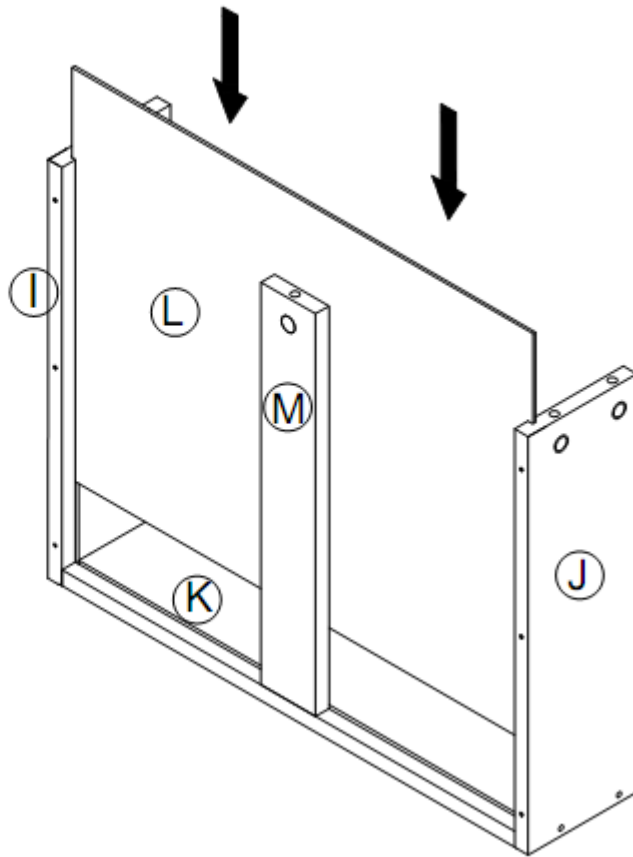
11

⑨ x 6

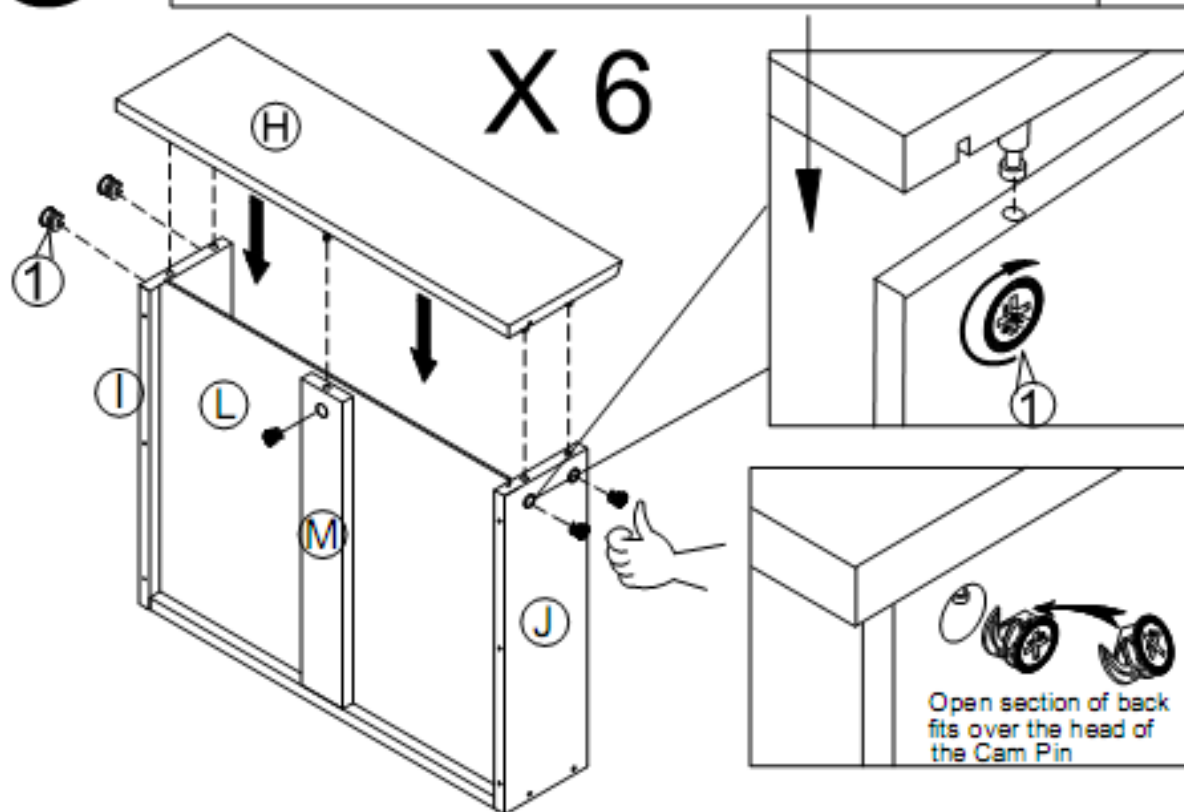


12

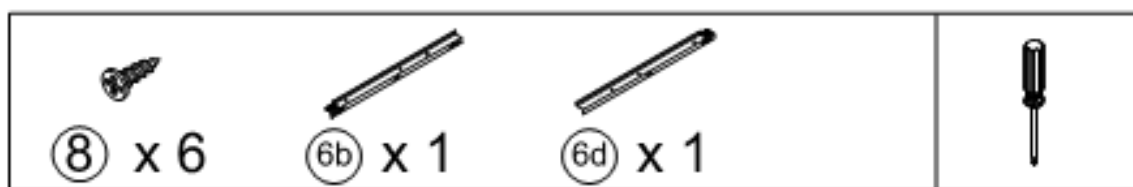
X 6



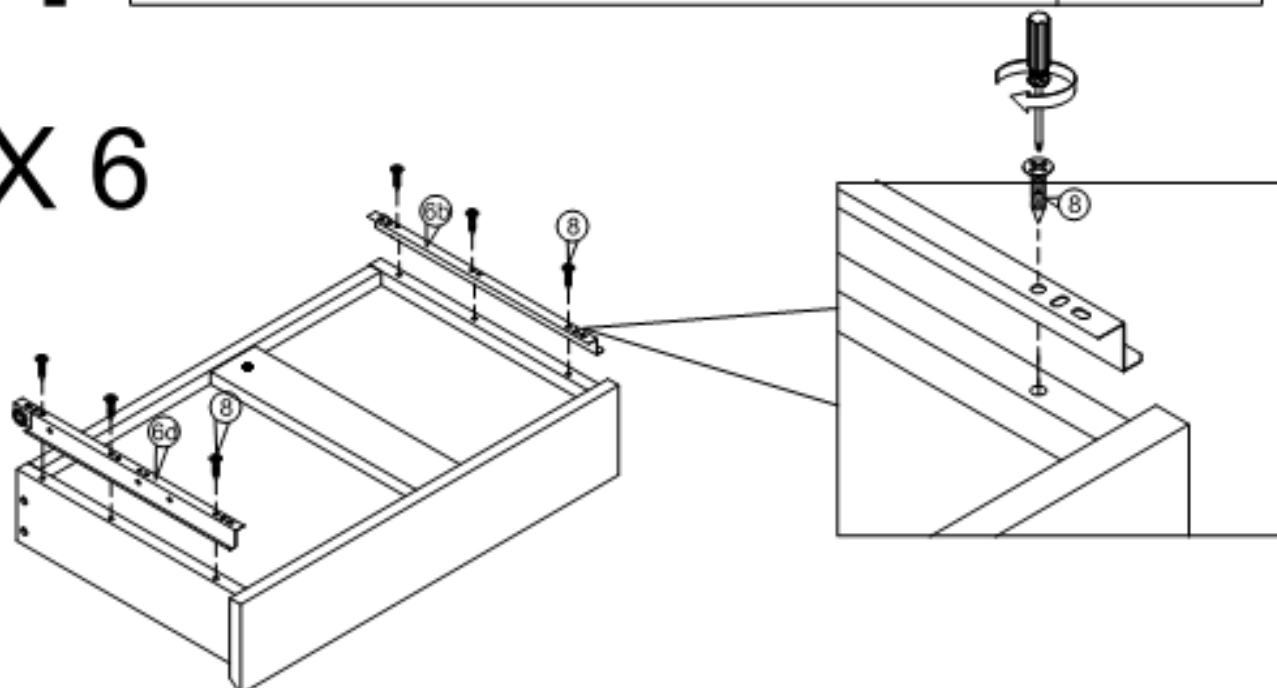
13



14

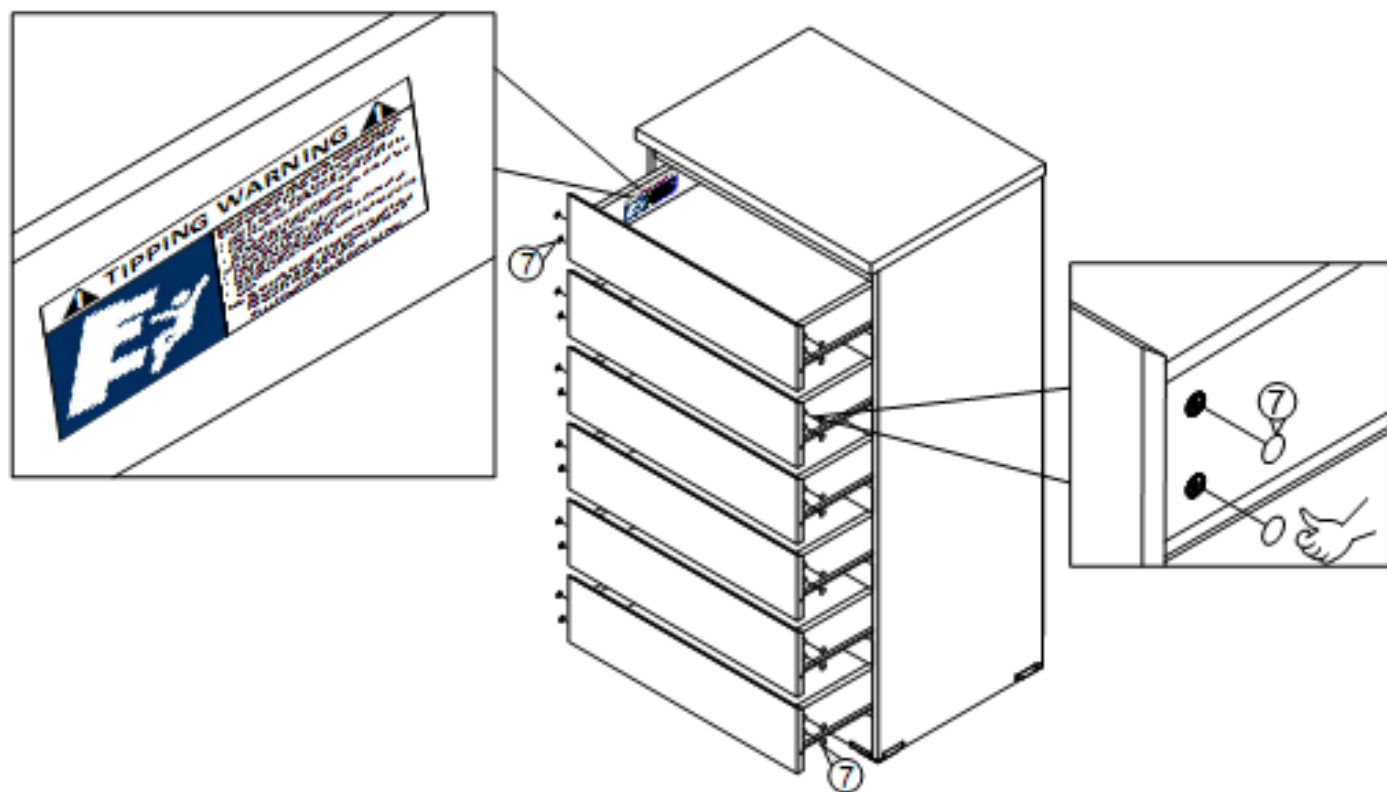


X 6



15

⑦ x 24



SAFETY BRACKETS INSTRUCTIONS

This furniture poses a tipping risk and as such must be secured to a wall using the provided tipping kit.

1. Attach one Mounting plate to the wall with the Large screws. Make sure to attach the Mounting Plate into a stud. If mounting into brick or masonry you will need to acquire wall anchors. Please enquire with your local hardware supplier for appropriate fixings.
2. Attach the second Mounting Plate to the furniture frame with the Short screws .
3. Move the furniter to its final position. Thread a Wall Strap through the both Mounting Plated and tighten until snug. Do not over tighten.
4. Make sure that the Mounting Plated are firmly attached to the wall and fumiture and that the Wall Strap is snug.

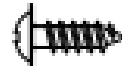
HARDWARE



1 PC
20 x 40 x 1.2mm
Wall Bracket



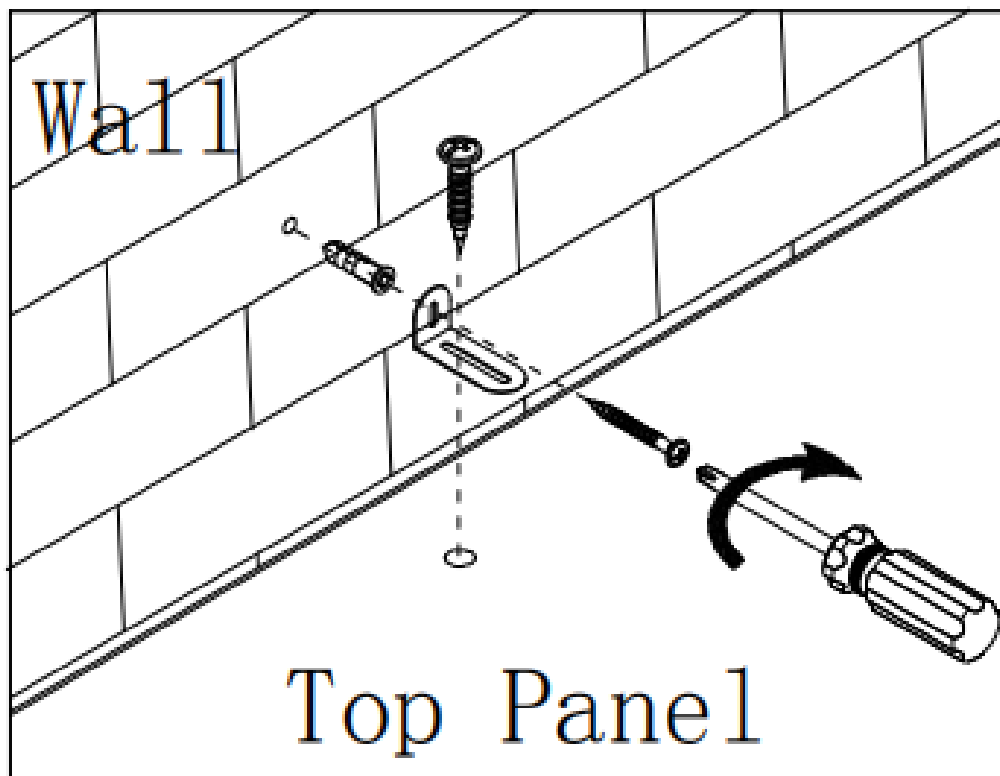
1 PC
Ø9 x Ø6 x 25mm
Plastic Screw



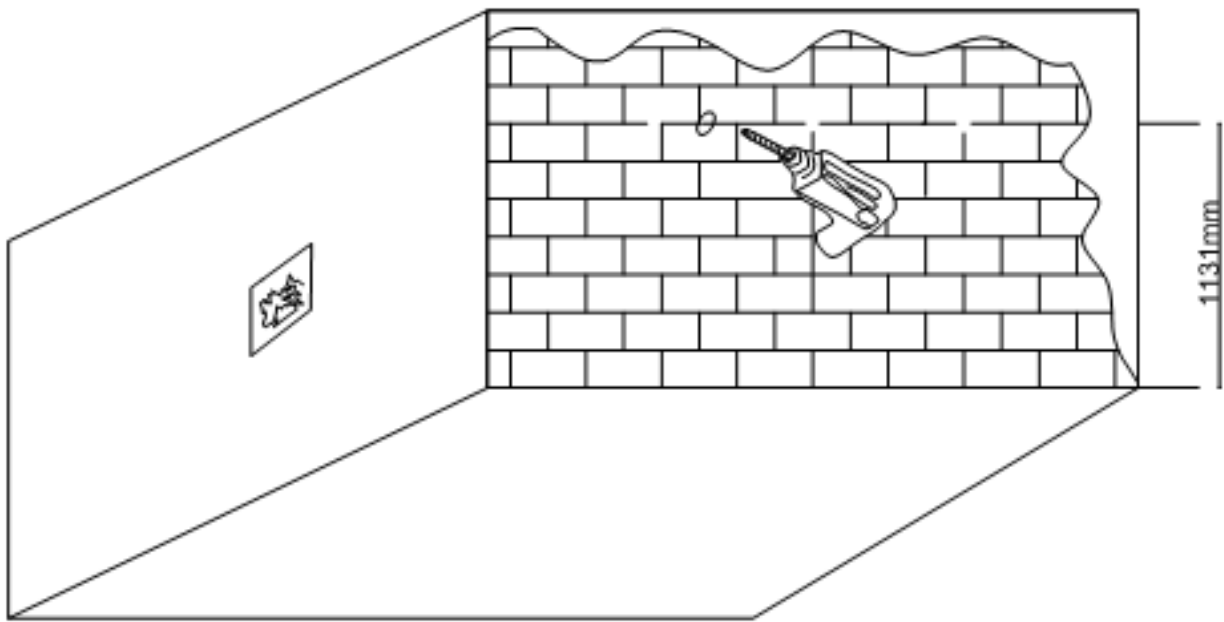
1 PC
Ø9 x Ø4 x 15mm
Screw



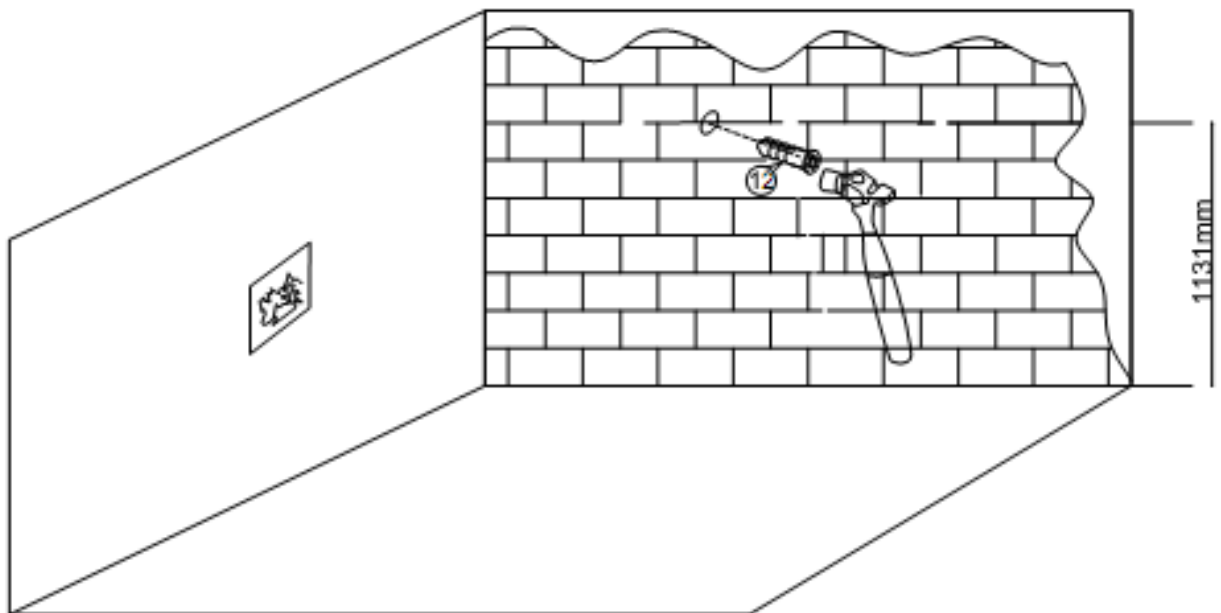
1 PC
Ø9 x Ø4 x 25mm
Screw



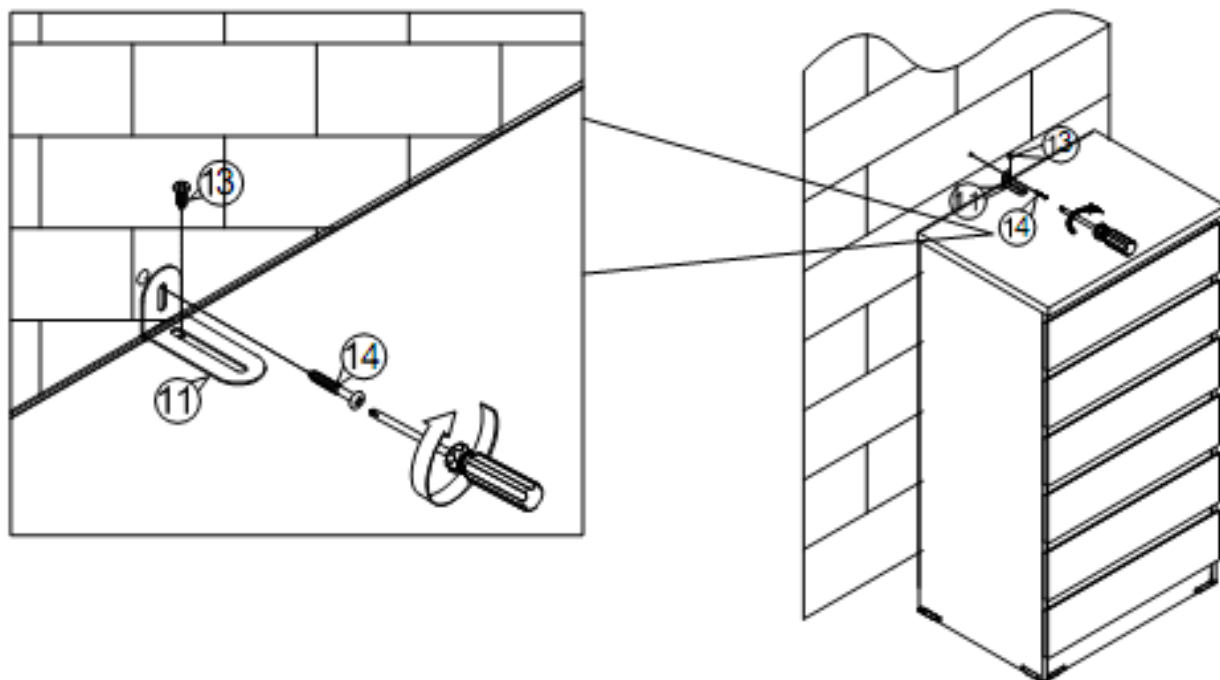
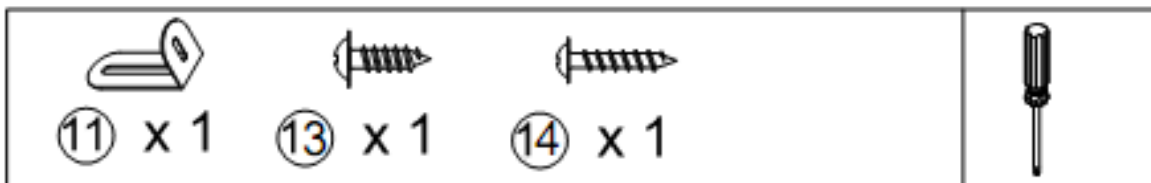
16



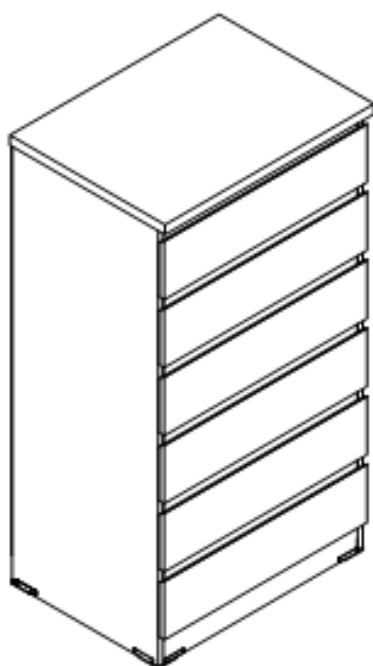
17



18



ASSEMBLY IS COMPLETE



To protect your furniture, we suggest the following:

- Avoid placing your furniture in direct sunlight.
- Do not place furniture directly under windows.
- Do not place sharp materials (knife, fork, etc.) directly onto your furniture as sharp material may scrape and damage the finish.
- Do not place material with high temperature directly onto the surface surface of furniture.
- Clean up spills quickly. Water left over a prolonged period of time may cause damage. Alcohol, perfume, nail polishes, aftershave and some medication may cause severe finish damage if not cleaned immediately.
- Use a clean, soft, dry, lint free absorbent cloth to clean your furniture. Do not use any detergent as they may contain ingredients that may react and damage the finish.
- NOTE: If the above care advise is not adhered to your product warranty may become void.